

NOVA

EN

INSTALLATION GUIDELINE

V 1.0



Balcony Mount System

NOVA BALCO



25 YEAR
WARRANTY



UP-TO 30% FASTER
INSTALLATION



LANDSCAPE

WWW.NOVAMOUNTING.COM

CONTENT

1. INTRODUCTION	1
2. GENERAL.....	1
LIABILITY.....	1
INSTALLATION GUIDELINES	1
TESTING & CERTIFICATION	1
MAINTENANCE.....	1
DISASSEMBLY & DISPOSAL	1
WARRANTY.....	1
3. SAFETY GUIDELINE.....	2
PERSONNEL & SUPERVISION	2
WORKSITE SAFETY.....	2
MANDATORY SAFETY CHECKS.....	2
GENERAL RESPONSIBILITY & SAFETY GUIDELINE	2
4. SYSTEM OVERVIEW	3
PARTS LIST	4
5. INSTALLATION PREPARATION	5
TOOL LIST	5
6. INSTALLATION GUIDELINE	6
INSTALLING THE MODULE CLAMPS	6
ADJUSTMENT ANGLES	7
SETTING UP THE MOUNTING ARM	8
INSTALLING THE HOOK ONTO THE TRIPOD.....	9
CONNECTING THE SHAFT AND THE TRIPOD.....	10
ATTACHING THE MOUNTING PLATE(A).....	11
ATTACHING THE SYSTEM TO THE BALCONY	12
ATTACHING THE MOUNTING PLATE(B).....	13
INSTALLATION COMPLETED.....	14
7. NOTE	15

1. INTRODUCTION

Welcome to the NOVA Solar Mounting Solution Installation Guideline. This guide is your comprehensive resource for installing NOVA's solar mounting systems. Designed with precision and engineered for durability, our systems ensure a seamless and efficient installation experience.

Whether you're working with penetrative tin roofs, tile roofs, or other specialised surfaces, this Guideline provides step-by-step instructions and all the necessary details to ensure a successful and long-lasting solar installation.

2. GENERAL

This installation guideline outlines the correct procedure for assembling the NOVA Mounting System and must be followed precisely. Before beginning installation, please read this Guideline carefully to ensure full understanding of the process and associated safety requirements. Compliance with all safety precautions, handling guidelines, and the procedures outlined in this Guideline is essential for a safe and successful installation.

In addition to this Guideline, refer to any project-specific layout drawings, engineering reports, or planning documents provided by NOVA Mounting. These documents contain important technical data and site-specific instructions that must be adhered to throughout the installation process.

Please note that the illustrations and diagrams within this Guideline are provided for general guidance and may differ slightly from actual system configurations depending on roof type, region, or project requirements.

LIABILITY

All technical content and guidance contained in this Guideline is developed using current standards, regulations, and NOVA Mounting's expertise in solar mounting systems. While every effort has been made to ensure accuracy, final responsibility lies with the installer to verify compliance with local codes, structural suitability, and safe work practices. Refer to our official warranty and liability conditions available at www.novamounting.com

INSTALLATION GUIDELINES

Ensure that the roof construction is suitable for the introduction of forces at the fixing points and their subsequent transmission. In order to compensate thermal expansion, include a break every 25 meters when planning the PV-system. For module positioning/fastening points please refer to manufacturers recommendations. Please follow your local timber construction standard. Please do not use installed roof connections as ladder. If installation is located within 10km from the coast, we advise not to use zinc coated material. For further information please contact your sales representative or the technical department at NOVA Mounting.

TESTING & CERTIFICATION

All components have been tested and developed to be compliant with relevant guides and regulations.

MAINTENANCE

To ensure the long-term safety, performance, and structural integrity of the NOVA Mounting System, periodic inspections and maintenance are required. All maintenance activities must be carried out by qualified personnel familiar with the system and local safety standards.

- Perform a general system inspection annually. Additional inspections should be conducted after severe weather events, such as storms with wind speeds exceeding 75 km/h or heavy hail.
- Inspect all screw connections and tighten any that are loose, following the specified torque values provided in the installation instructions
- Any damaged, corroded, or loose components must be repaired or replaced immediately.

DISASSEMBLY & DISPOSAL

Reused components are classified as wearing parts, and responsibility for assessing wear rests with the installer. NOVA disclaims any liability or warranty for reused components. Disassembled parts should be properly recycled, with metals and plastics sent for recycling, and other materials disposed of according to their composition.

WARRANTY

Warranty according to the terms and conditions found on the website www.novamounting.com

NOVA is not accountable for the roof's capability to maintain the introduced forces. Please check the roof's compatibility with a static engineer.

3. SAFETY GUIDELINE

Before commencing installation, ensure the mounting surface is structurally sound and suitable for the applied loads of the solar array. All installations must be performed in accordance with the system design, local building codes, and relevant Australian Standards. Carefully plan the panel layout to accommodate thermal expansion—introducing expansion joints every 25 metres is recommended. Always follow the solar panel manufacturer's guidelines regarding clamping zones and attachment points. Do not use mounting components as footholds or for temporary access. Ensure the roof surface is clean, dry, and free of debris before beginning work. If in doubt, consult a structural engineer or contact NOVA Mounting's technical support for project-specific guidance.

PERSONNEL & SUPERVISION

- Installation must be carried out by qualified and trained personnel, with a minimum of two professionals present at all times
- All installers must be familiar with this Guideline and local safety standards before beginning work.

WORKSITE SAFETY

- Never install the mounting system in high winds, wet conditions, or on slippery or uneven roof surfaces.
- Keep the roof clean and dry. Remove any algae, debris, or obstacles before beginning installation.
- Do not walk on the mounting system or solar panels at any time.
- Never stand in gutters or areas not designed to support weight.
- If working on tiled roofs, slide tiles upward to create footholds—do not damage tiles or roof structure.

MANDATORY SAFETY CHECKS

- Do not alter or substitute system components.
- Ensure all fasteners are tightened to the recommended torque.
- Double-check all fixings before finalising installation.

GENERAL RESPONSIBILITY & SAFETY GUIDELINE

Ladders & Access Equipment: Place ladders on stable, solid surfaces. Maintain a ladder angle of approximately 75°, and ensure it extends at least 1 metre above the roof edge. Where possible, secure the ladder at the top using a rope or tension strap.

Handling and Modification: Do not throw or roughly handle any components. Avoid bringing the system into contact with sharp or heavy objects. Do not modify components in any way, including exchanging bolts, drilling holes, or bending parts. Any such modifications not described in the standard installation procedure will void the warranty.

Roof Inspection: Before installation, verify the roof's load-bearing capacity. Check that the roof is in good condition and can support the weight of the solar panels, including additional materials and loads.

Weather Conditions: Avoid installation in adverse weather conditions, such as strong winds or wet, slippery surfaces.

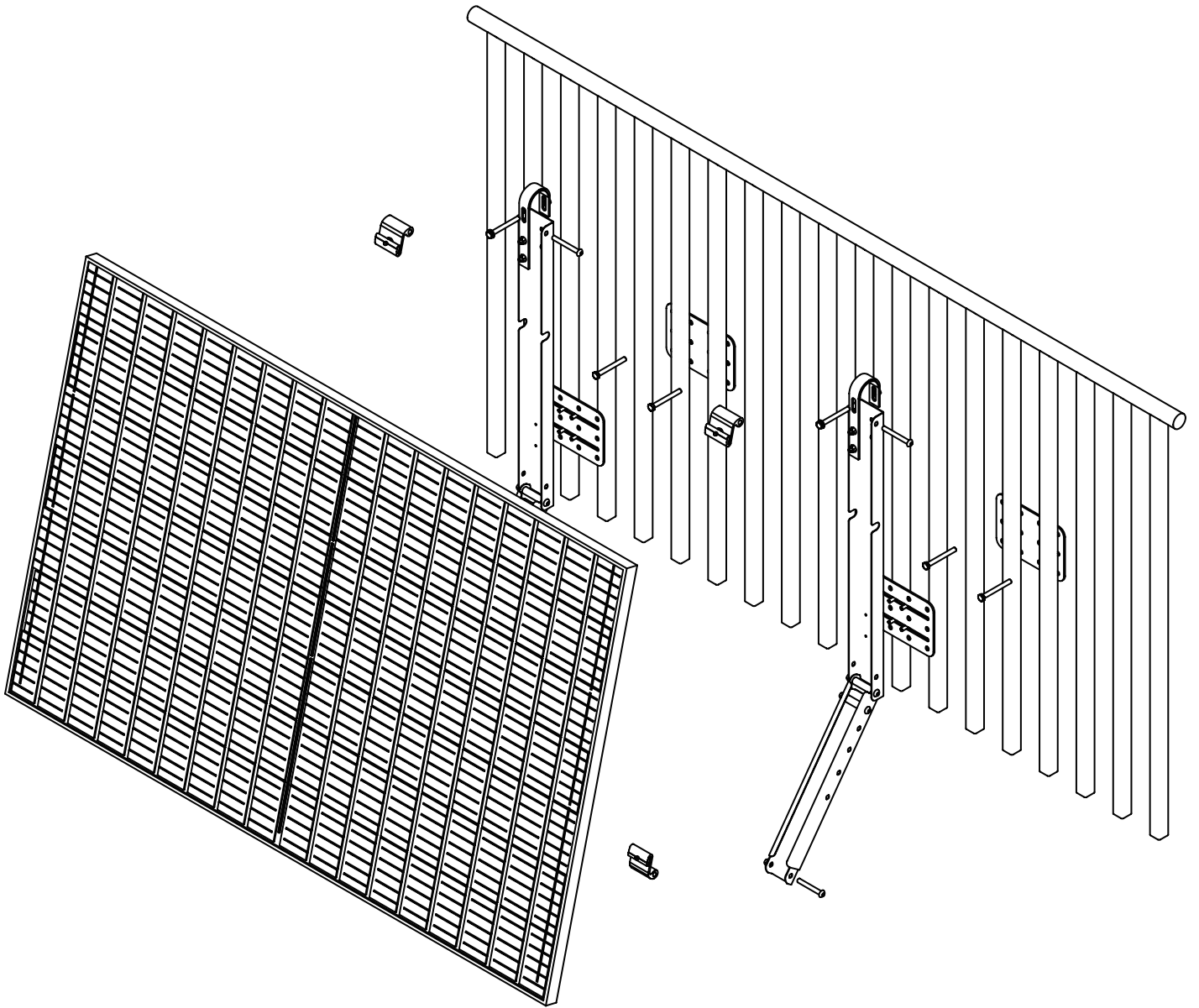
Safety Measures: Follow all fire regulations related to photovoltaic installations. Ensure the roof surface is clean, dry, and free of debris before beginning installation. Use safety nets and edge protection as necessary.

Earthing and Bonding: Perform equipotential bonding, grounding, and earthing according to country-specific standards and regulations. Galvanising of all earthing components if required.

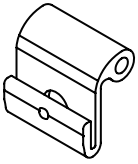
Protective Gear: Wear appropriate protective equipment such as helmets, gloves, and non-slip safety boots.



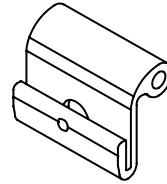
4. SYSTEM OVERVIEW



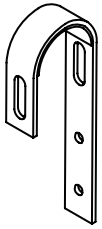
PARTS LIST



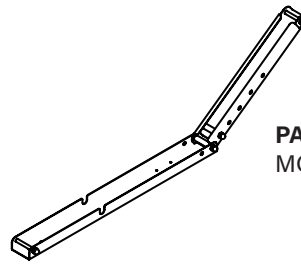
PART NAME:
60MM MODULE CLAMP



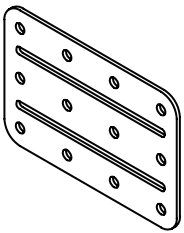
PART NAME:
70MM MODULE CLAMP



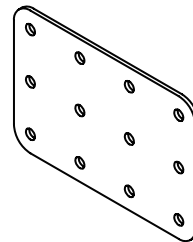
PART NAME:
MOUNTING HOOK



PART NAME:
MOUNTING ARM



PART NAME:
MOUNTING PLATE(A)



PART NAME:
MOUNTING PLATE(B)

5. INSTALLATION PREPARATION

TOOL LIST



**MARKER
CHALK**



**TAPE
MEASURE**



**PLIERS
TIN SNIPS**



**PROTECTIVE
EQUIPMENT**



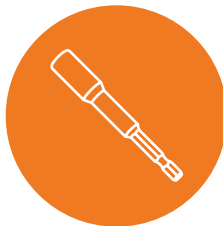
**STRING
LINE**



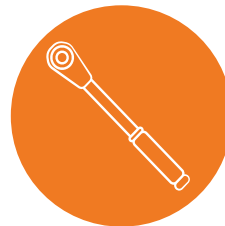
**CIRCULAR
SAW**



**IMPACT
DRIVER**



**NUT
SETTER**



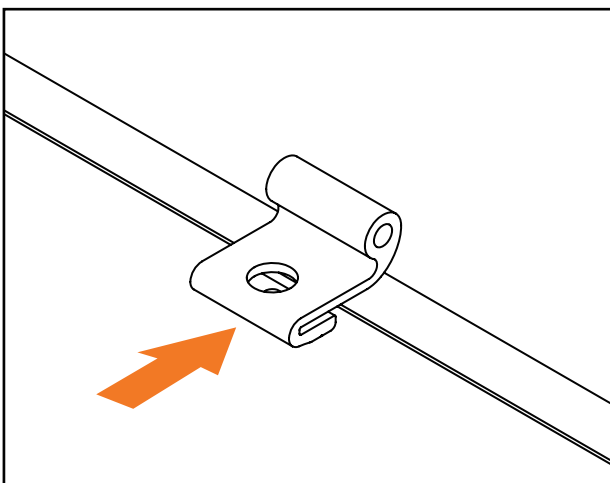
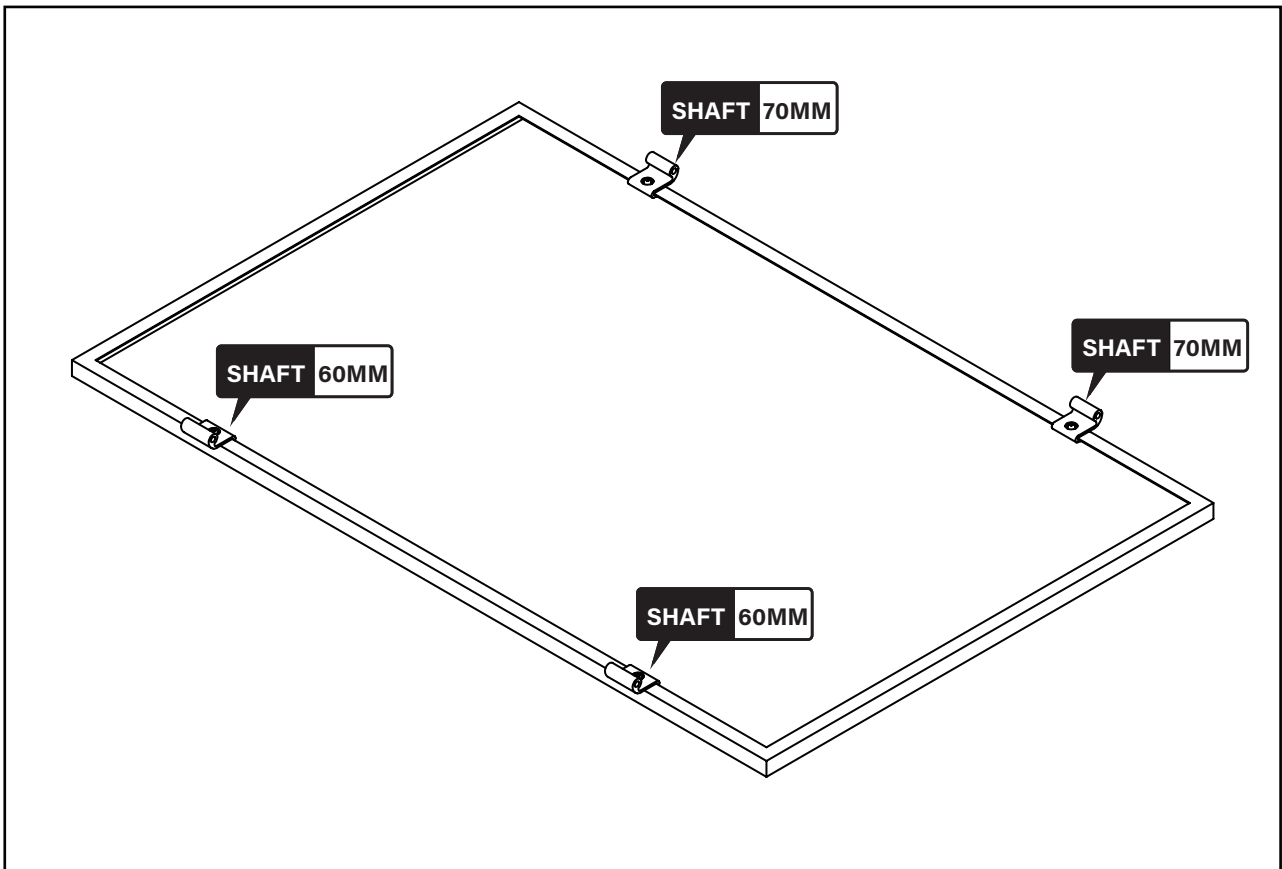
**TORQUE
WRENCH**



**SPIRIT LEVEL
SET SQUARE**

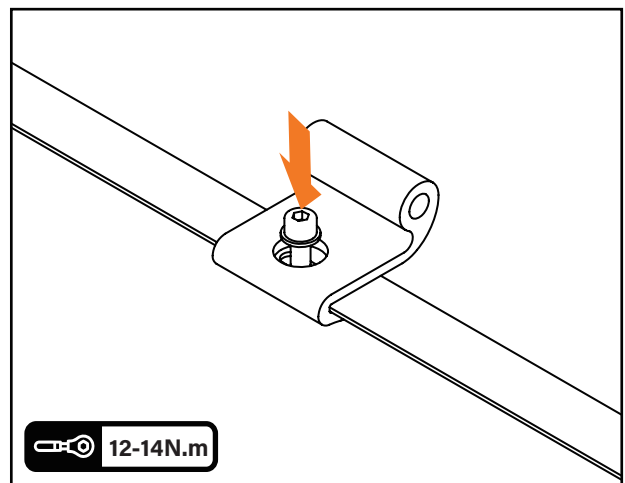
6. INSTALLATION GUIDELINE

INSTALLING THE MODULE CLAMPS



STEP 1

Position the Module Clamps in line with the existing holes on the module frame.

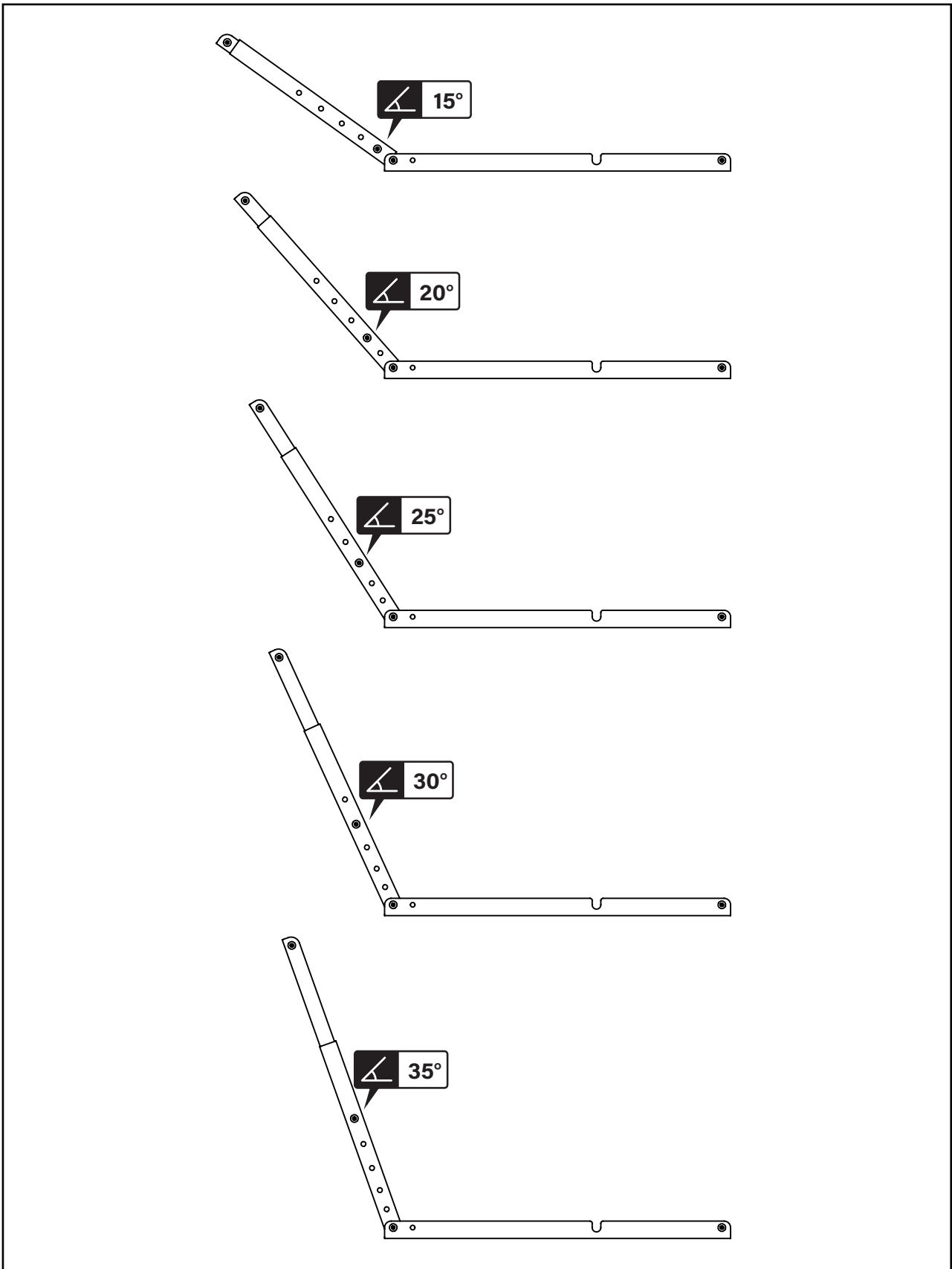


STEP 2

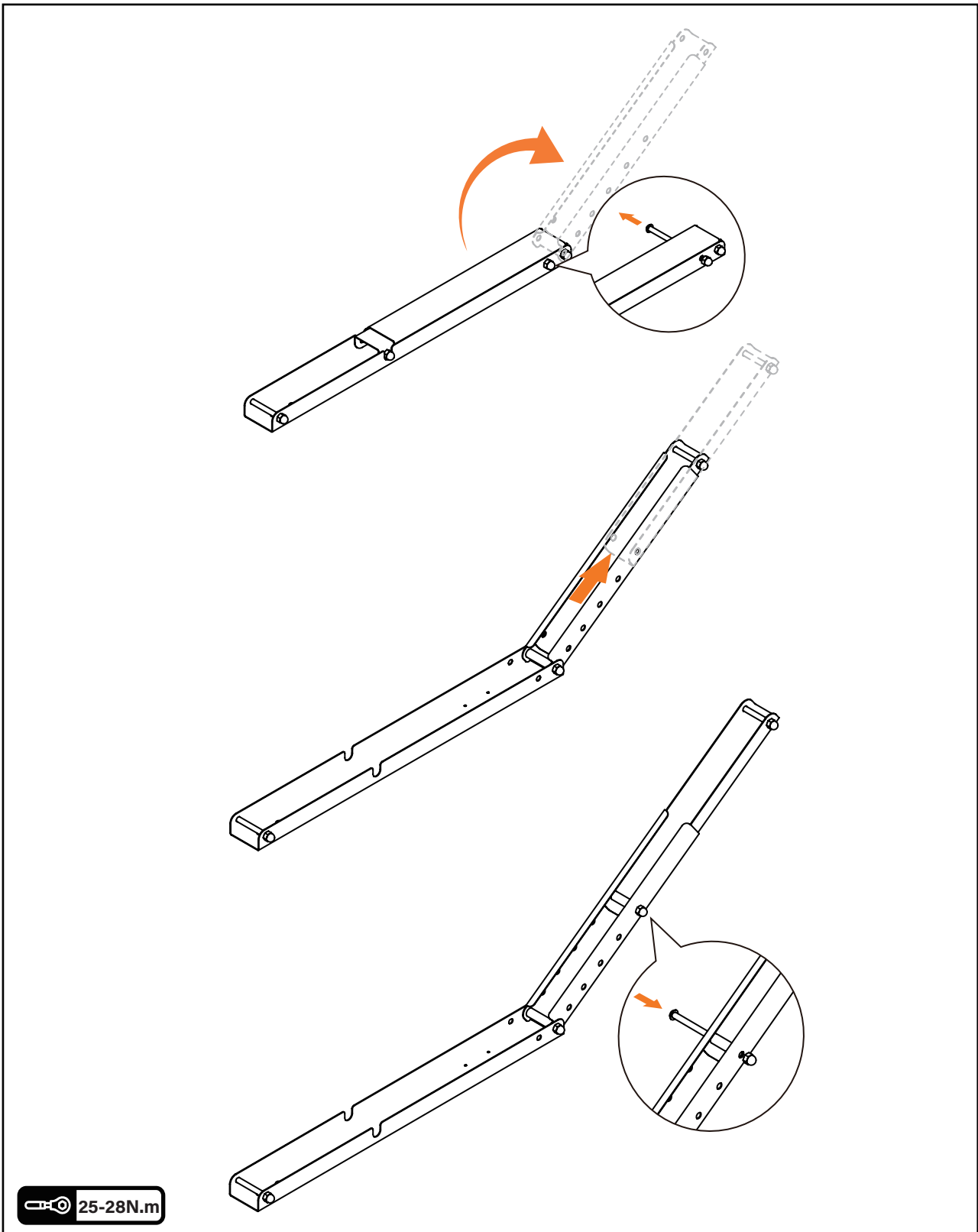
Tighten to the specified torque (12-14N.m).

i Ensure the 70mm module clamps are installed on the same side of the module frame, and the 60mm module clamps are installed on the opposite side.

ADJUSTMENT ANGLES



SETTING UP THE MOUNTING ARM

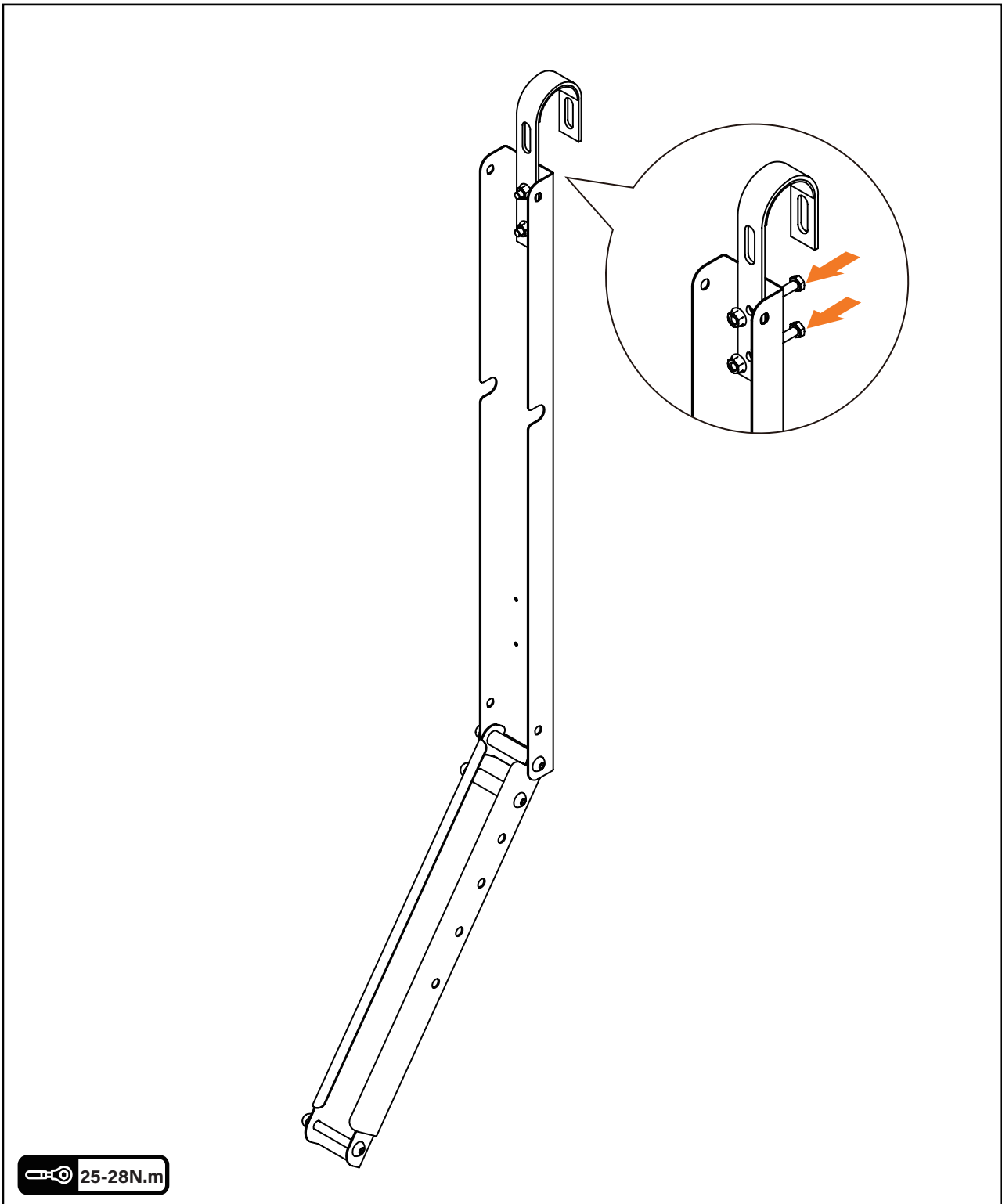
**STEP 1**

Remove the bolt and nut as shown in the diagram, then unfold the assembly.

STEP 2

Extend the arm to the desired angle, then secure using the bolt and nut, specified torque (25-28N.m).

INSTALLING THE HOOK ONTO THE TRIPOD

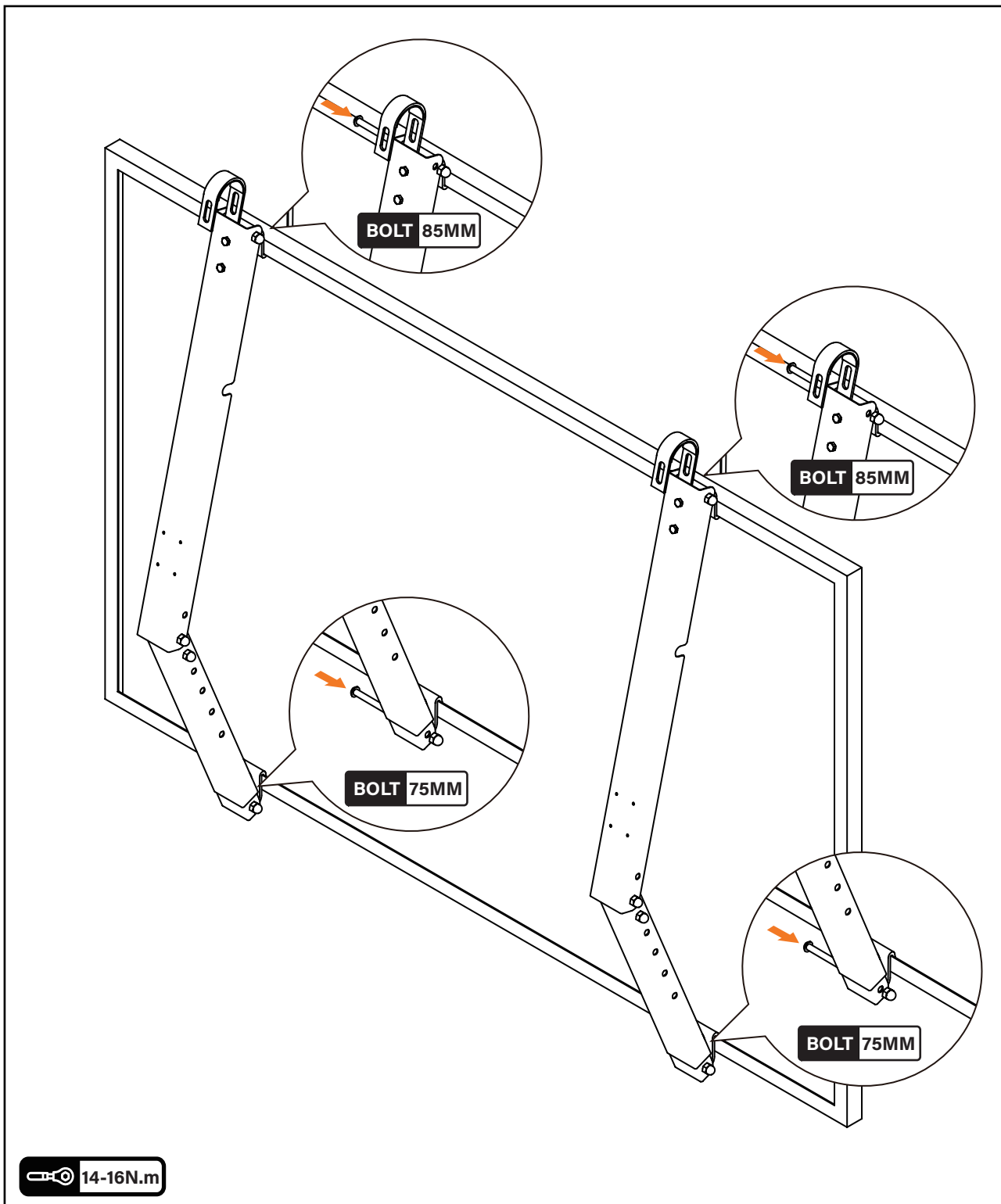
**STEP 1**

Attach the hook to the Balcony Mounting Arm using two bolts and nuts, specified torque (25-28N.m).



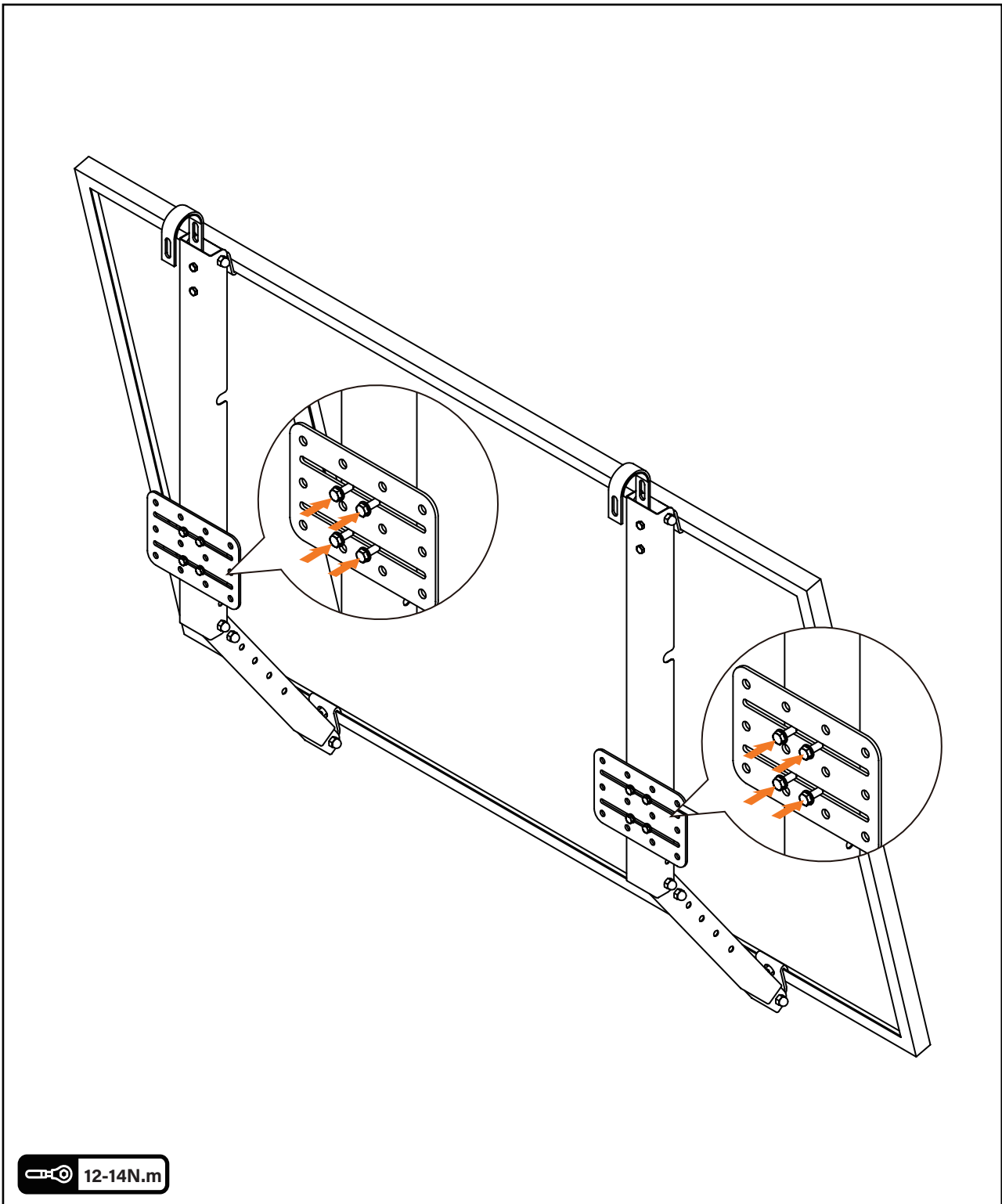
Ensure the hook is correctly assembled and that the bolts and nuts are installed as shown in the diagram. Incorrect installation may interfere with the system.

CONNECTING THE SHAFT AND THE TRIPOD

**STEP 1**

Attach the Mounting Arms to the Module Clamp. Fix the hook side to the 70mm module clamp using an M8 x 85mm bolt, and fix the extendable arm side to the 60mm module clamp using an M8 x 75mm bolt, specified torque (14-16N.m).

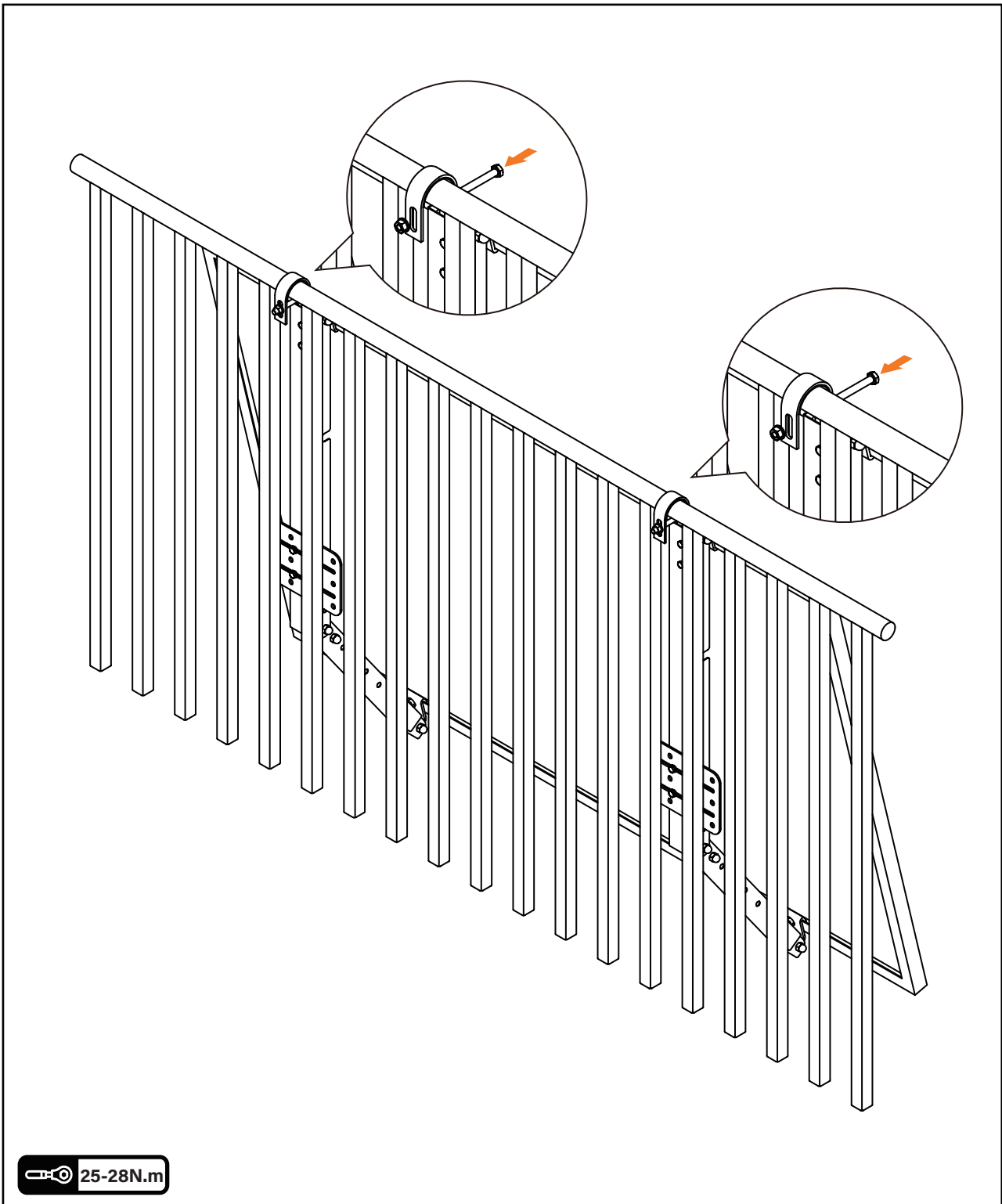
ATTACHING THE MOUNTING PLATE(A)



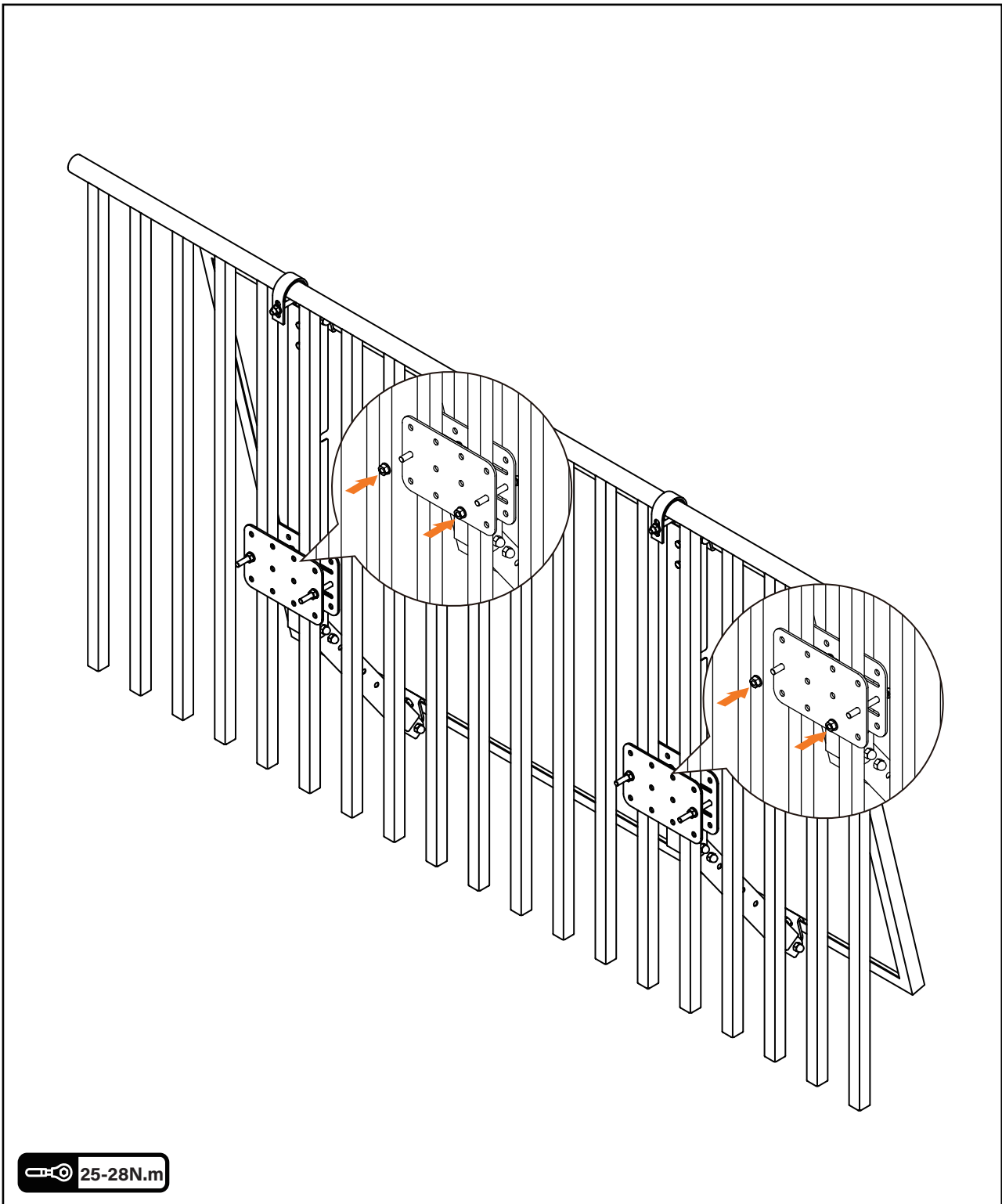
STEP 1

Insert four bolts through the slots of each Mounting Plate(A) and attach the Mounting Plate(A) to the back of the Mounting Arm, specified torque (12-14N.m).

ATTACHING THE SYSTEM TO THE BALCONY

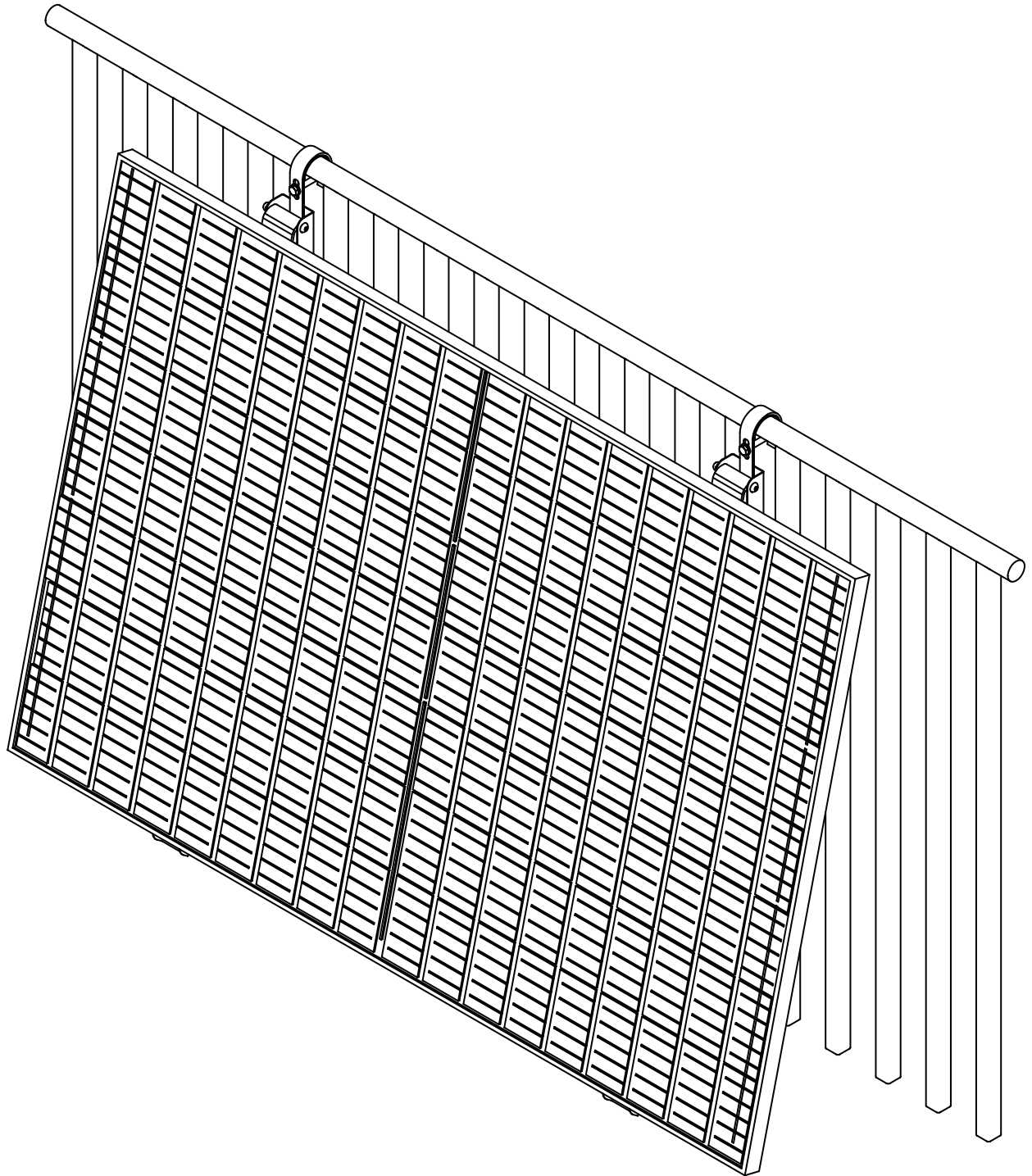
**STEP 1**

Carefully hook the assembly over the balcony railing and secure it by inserting and tightening the bolt, as shown above, specified torque (25–28N.m).

ATTACHING THE MOUNTING PLATE(B)**STEP 1**

Align Mounting Plates(B) and secure them by inserting and tightening the bolts, as shown above, specified torque (25-28N.m).

INSTALLATION COMPLETED



NOVA

