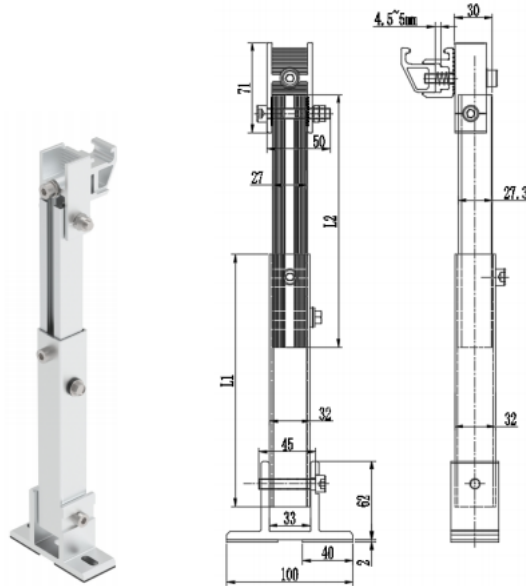


Name	NOV Adjustable Front Leg
Article#	NOVA-TRB-AFL-RFN
Weight(g)	324
Material	AL6005-T5
Finish	Silver
Packing	20PCS
Carton size(mm)	260×205×180

Product Specification

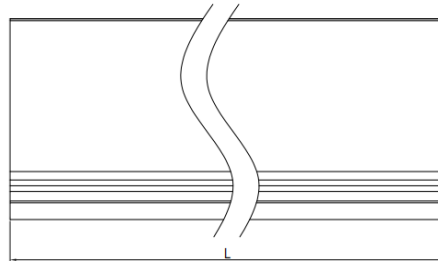
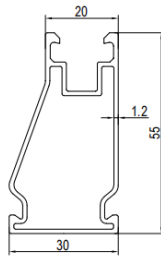
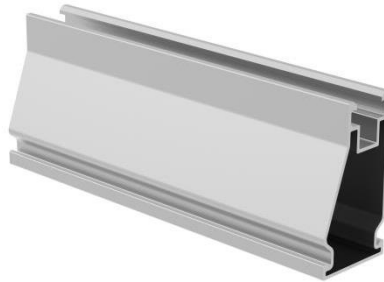
Article# NOVA-TRB-ARL-F00-RFN



No.	Part No.	Feature Size			Weight(kg)	Packing	Carton Size
		α	L1	L2			
1	TRB-ARL-F15-RFN	10~15°	200	200	0.695	40pcs	540x220x380
2	TRB-ARL-F30-RFN	15~30°	360	360	0.908	20pcs	540x220x380
3	TRB-ARL-F60-RFN	30~60°	660	660	1.309	20pcs	540x220x730

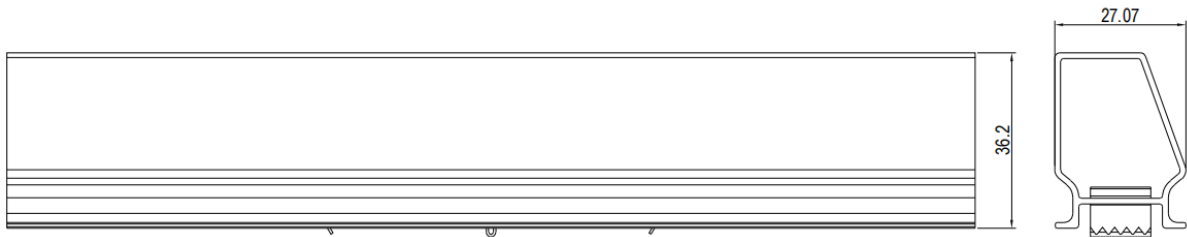
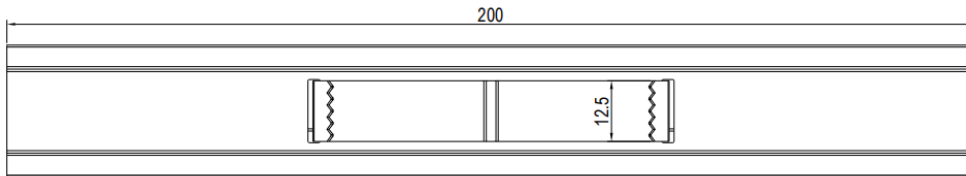
Name	NOVA Adjustable Rear Leg 10-15/15-30/30-60 deg
Article#	NOVA-TRB-ARL-F00-RFN
Weight(g)	695/908
Material	AL6005-T5
Finish	Silver
Packing	40/20PCS
Carton size(mm)	540×220×380





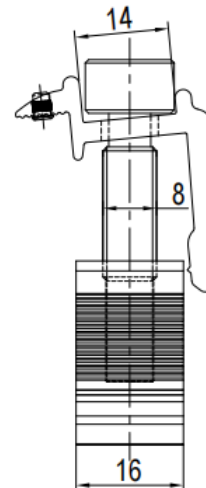
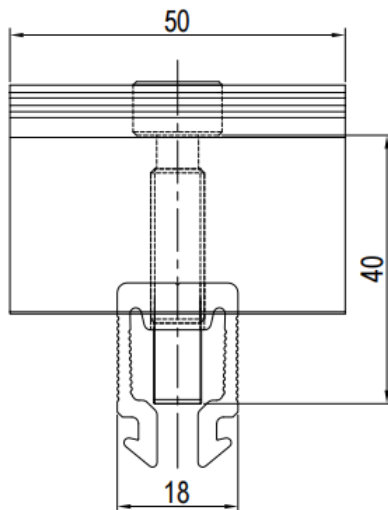
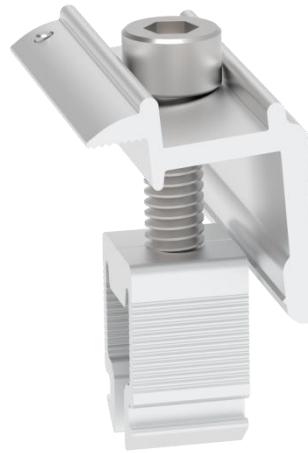
Name	NOVA Rail
Article#	NOVA-RA-NOV NOVA-RA-NOV-B
Weight(kg/m)	0.647
Material	AL6005-T5
Finish	Silver / Black
Packing	96PCS
Pallet size(mm)	TBA





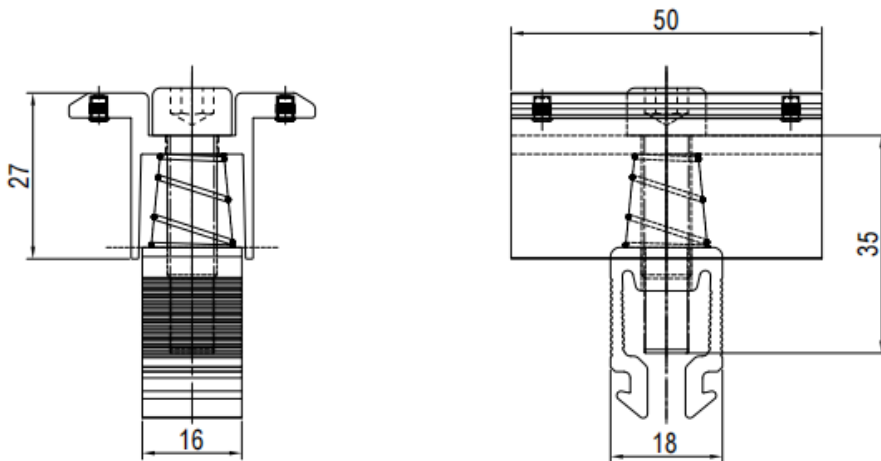
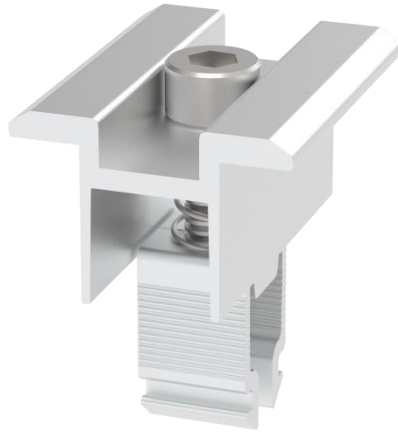
Name	NOVA Rail Joiner
Article#	NOVA-RA-NOV
Weight(g)	87
Material	AL6005-T5
Finish	Silver
Packing	220PCS
Carton size(mm)	540x212x378





Name	NOVA End Clamp 30-40mm
Article#	NOV-PC-NEC-40-NS6 NOV-PC-NEC-40-NS6-B
Weight(g)	57
Material	AL6005-T5/SUS304
Finish	Silver / Black
Packing	480PCS
Carton size(mm)	540x212x378

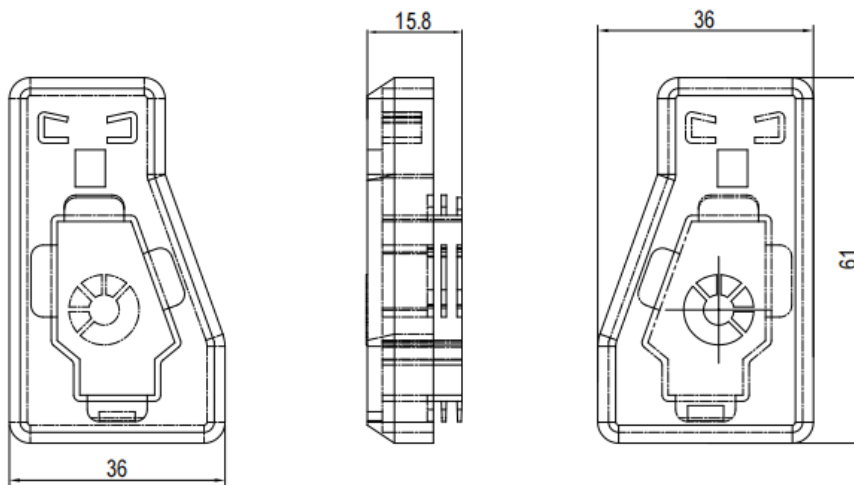




Name	NOVA Inner Clamp 30-35mm with Spring
Article#	NOV-PC-NIC35-NS6 NOV-PC-NIC35-NS6-B
Weight(g)	59
Material	AL6005-T5/SUS304
Finish	Silver / Black
Packing	400PCS
Carton size(mm)	540x212x378

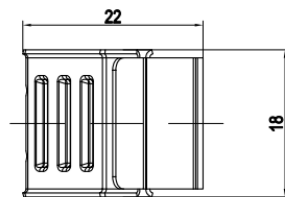
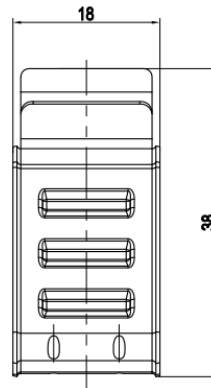
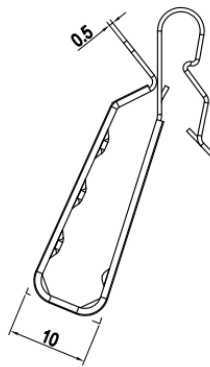
Product Specification

Article# NOVA-AC-AEC



Name	NOVA Rail End Cap(Pair)
Article#	NOVA-AC-AEC
Weight(g)	7
Material	PP
Finish	Black
Packing	800PCS
Carton size(mm)	540x212x340





Name	NOVA Rail Management Cable Clip
Article#	NOVA-AC-PCC08
Weight(g)	7
Material	SUS304
Finish	Silver
Packing	2,500PCS
Carton size(mm)	540x212x340