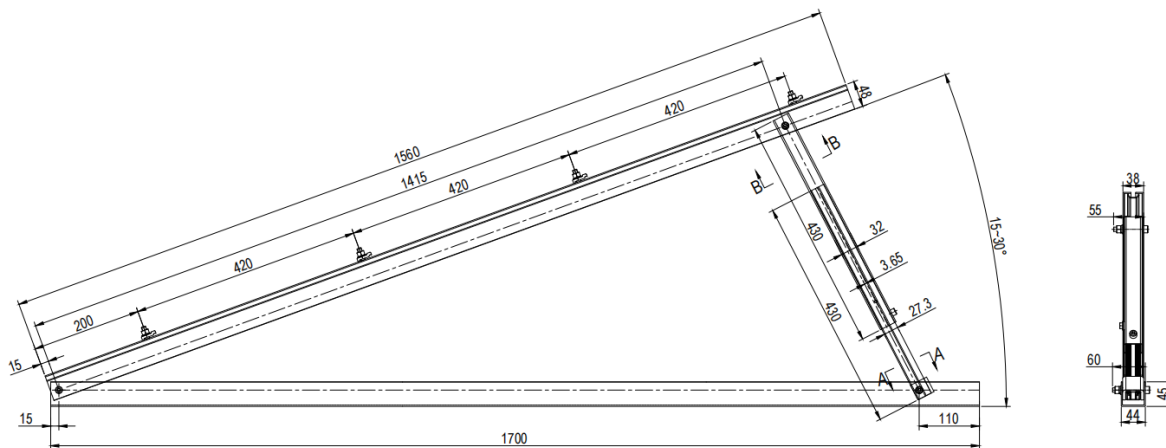
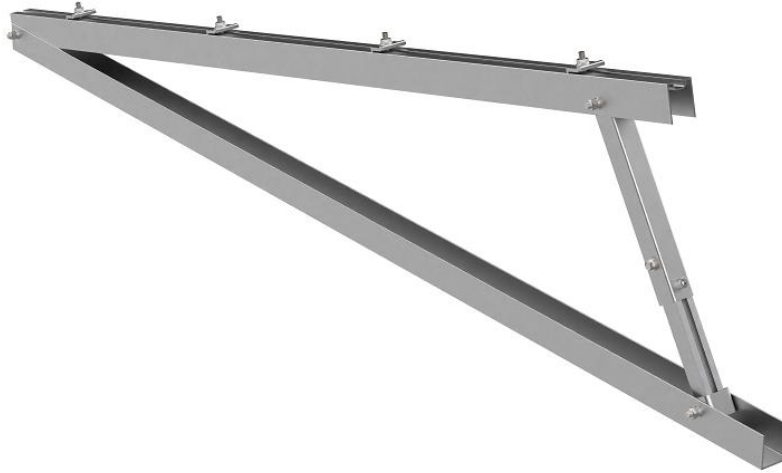


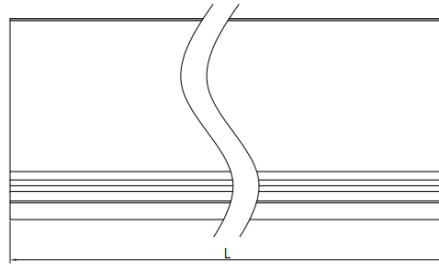
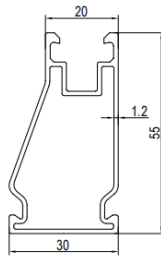
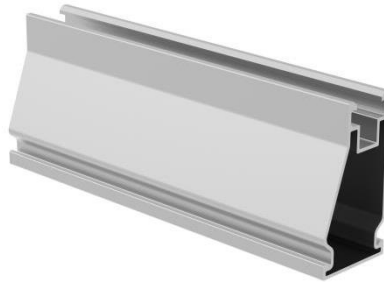
Product Specification

Article# NOVA-TRB-AFK-A4S-RCN

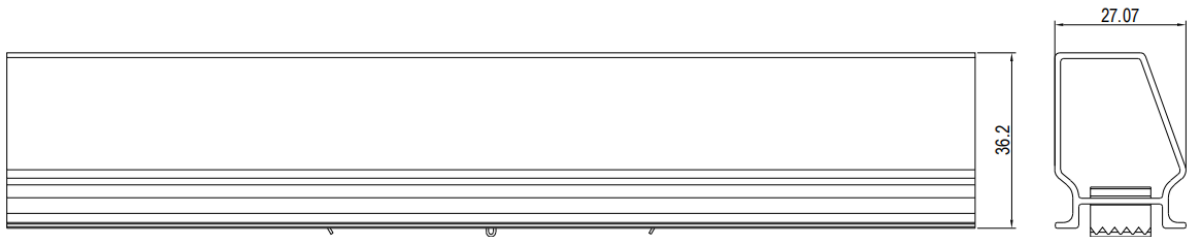
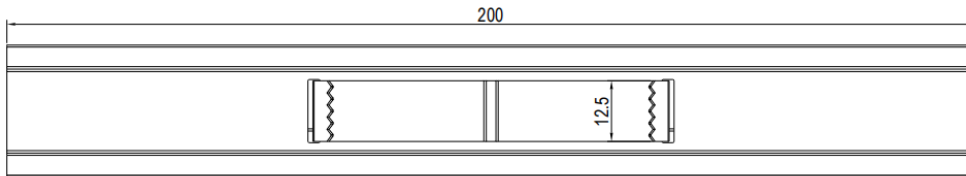


| | |
|------------------------|---|
| Name | NOVA A-Frame Kit 15-30° (with variable fixing holes and plate and 4xRC-NOV-BT and 2xscrews) |
| Article# | NOVA-TRB-AFK-A4S-RCN |
| Weight(kg) | 2.949 |
| Material | AL6005-T5 |
| Finish | Silver |
| Packing | 200PCS |
| Carton size(mm) | TBA |

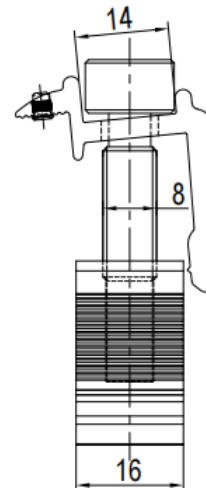
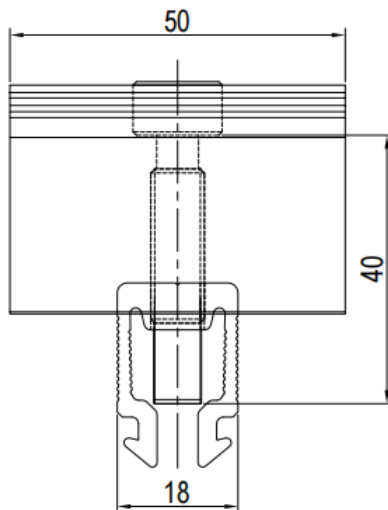
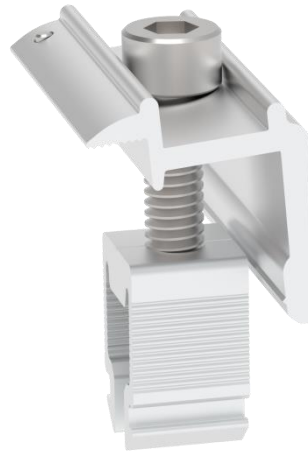




| | |
|------------------------|------------------------------|
| Name | NOVA Rail |
| Article# | NOVA-RA-NOV NOVA-RA-NOV-B |
| Weight(kg/m) | 0.647 |
| Material | AL6005-T5 |
| Finish | Silver / Black |
| Packing | 96PCS |
| Pallet size(mm) | TBA |

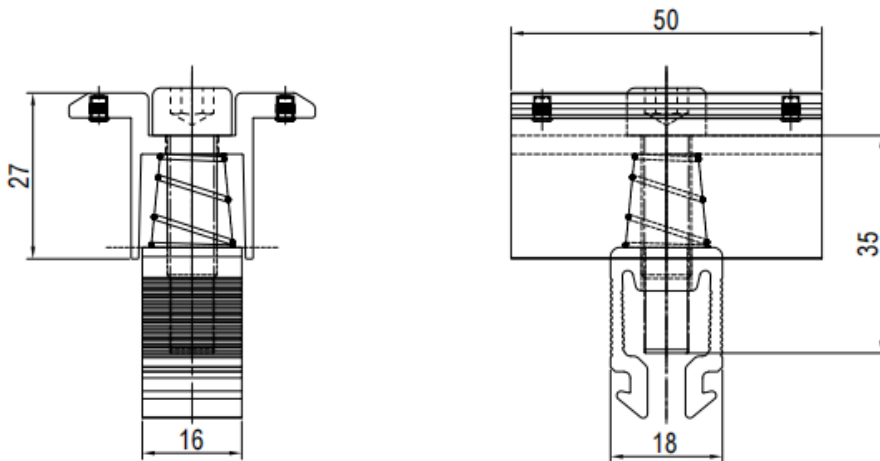
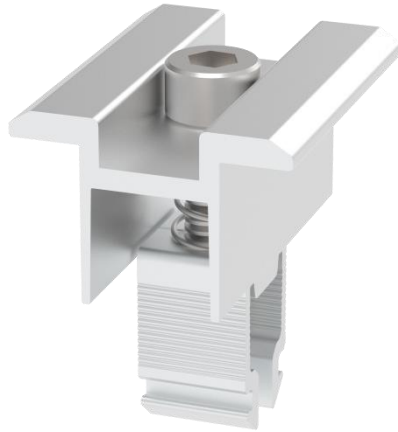


| | |
|------------------------|------------------|
| Name | NOVA Rail Joiner |
| Article# | NOVA-RA-NOV |
| Weight(g) | 87 |
| Material | AL6005-T5 |
| Finish | Silver |
| Packing | 220PCS |
| Carton size(mm) | 540x212x378 |



| | |
|------------------------|--|
| Name | NOVA End Clamp 30-40mm |
| Article# | NOV-PC-NEC-40-NS6 NOV-PC-NEC-40-NS6-B |
| Weight(g) | 57 |
| Material | AL6005-T5/SUS304 |
| Finish | Silver / Black |
| Packing | 480PCS |
| Carton size(mm) | 540x212x378 |



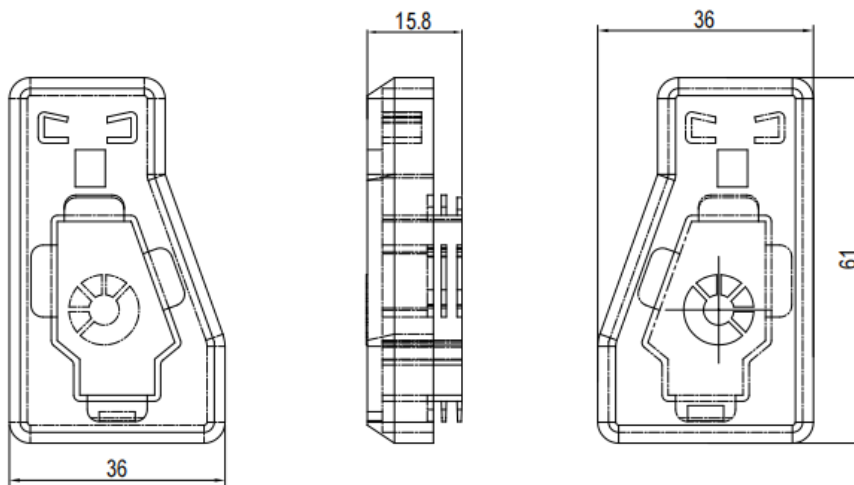


| | |
|------------------------|--|
| Name | NOVA Inner Clamp 30-35mm with Spring |
| Article# | NOV-PC-NIC35-NS6 NOV-PC-NIC35-NS6-B |
| Weight(g) | 59 |
| Material | AL6005-T5/SUS304 |
| Finish | Silver / Black |
| Packing | 400PCS |
| Carton size(mm) | 540x212x378 |



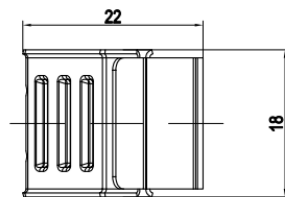
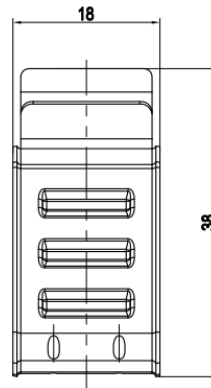
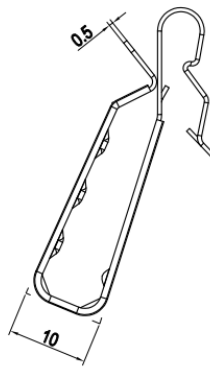
Product Specification

Article# NOVA-AC-AEC



| | |
|------------------------|-------------------------|
| Name | NOVA Rail End Cap(Pair) |
| Article# | NOVA-AC-AEC |
| Weight(g) | 7 |
| Material | PP |
| Finish | Black |
| Packing | 800PCS |
| Carton size(mm) | 540x212x340 |





| | |
|------------------------|---------------------------------|
| Name | NOVA Rail Management Cable Clip |
| Article# | NOVA-AC-PCC08 |
| Weight(g) | 7 |
| Material | SUS304 |
| Finish | Silver |
| Packing | 2,500PCS |
| Carton size(mm) | 540x212x340 |