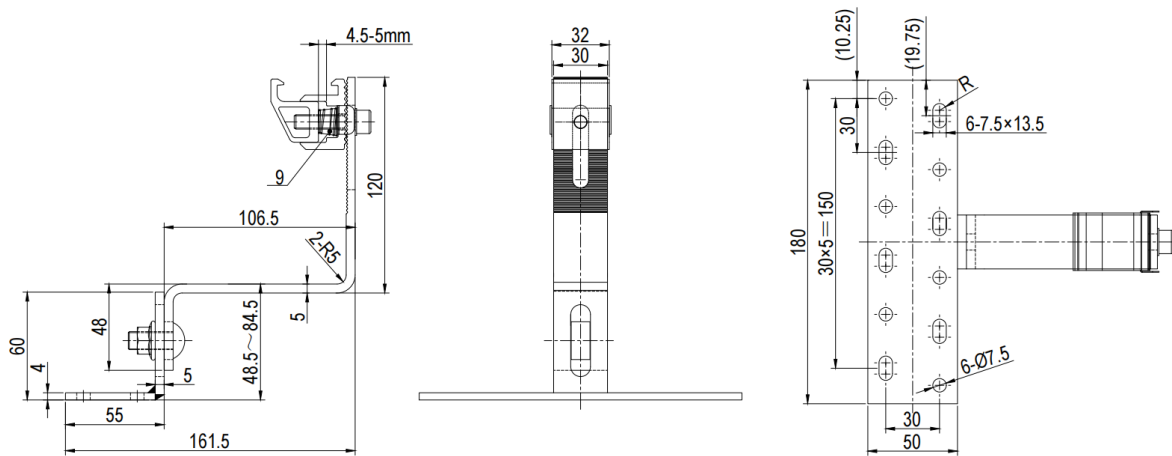


Name	NOVA Fixed Tile Hook
Article#	NOVA-TRH-F01-RFN
Weight(g)	686
Material	SUS304
Finish	Silver
Packing	60PCS
Carton size(mm)	540×220×200



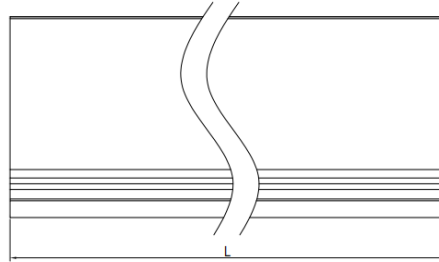
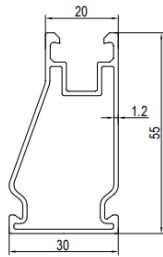
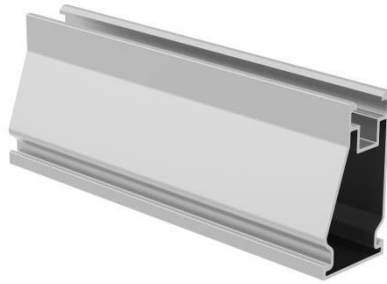


Name	NOVA Tile Hook #A01 Black (Height Adjustable)
Article#	NOVA-TRH-A01-RFN-B
Weight(g)	690
Material	SUS304
Finish	Silver/Black
Packing	60PCS
Carton size(mm)	540×220×200



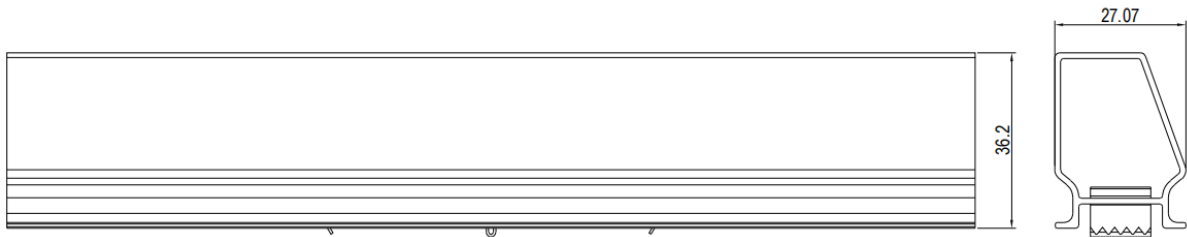
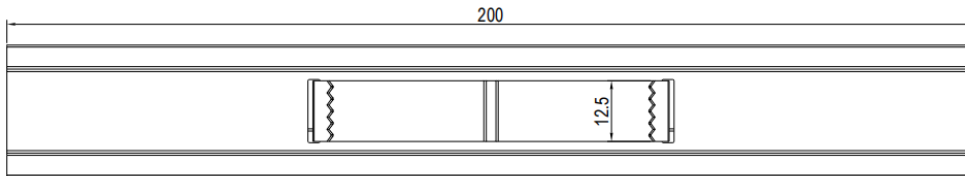
Product Specification

Article# NOVA-RA-NOV-XXXX



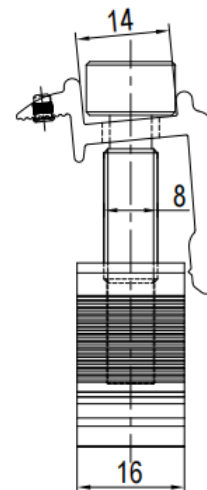
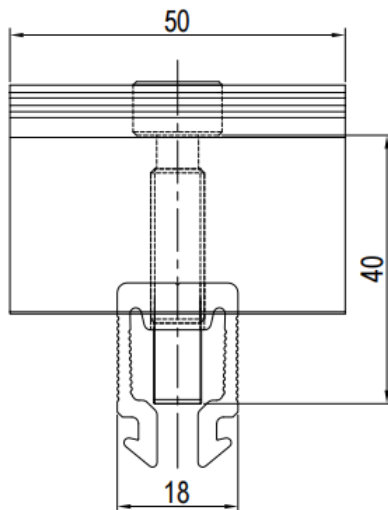
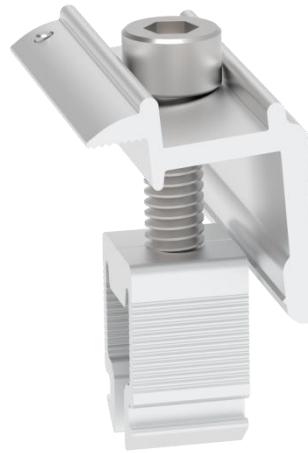
Name	NOVA Rail
Article#	NOVA-RA-NOV NOVA-RA-NOV-B
Weight(kg/m)	0.647
Material	AL6005-T5
Finish	Silver / Black
Packing	96PCS
Pallet size(mm)	TBA





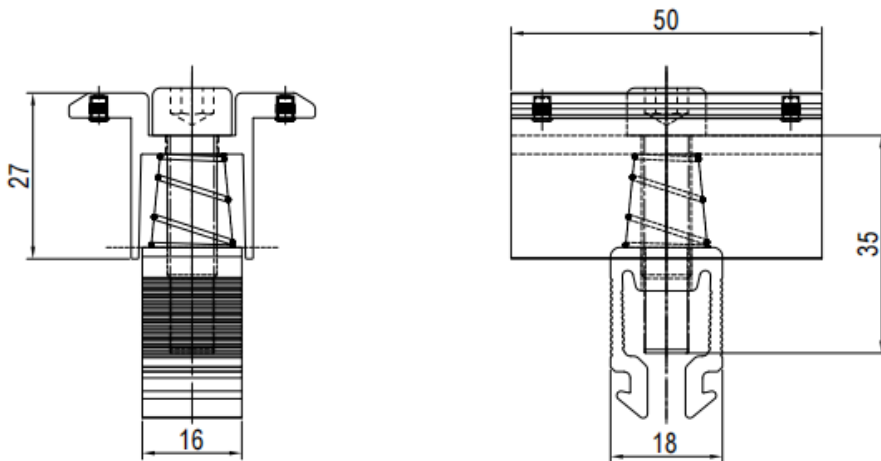
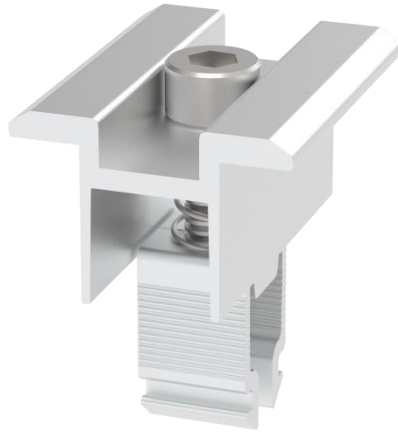
Name	NOVA Rail Joiner
Article#	NOVA-RA-NOV
Weight(g)	87
Material	AL6005-T5
Finish	Silver
Packing	220PCS
Carton size(mm)	540x212x378





Name	NOVA End Clamp 30-40mm
Article#	NOV-PC-NEC-40-NS6 NOV-PC-NEC-40-NS6-B
Weight(g)	57
Material	AL6005-T5/SUS304
Finish	Silver / Black
Packing	480PCS
Carton size(mm)	540x212x378

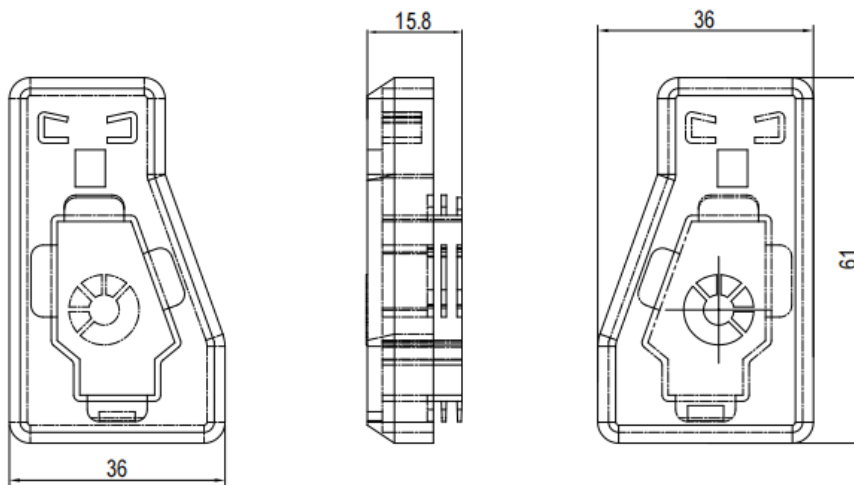




Name	NOVA Inner Clamp 30-35mm with Spring
Article#	NOV-PC-NIC35-NS6 NOV-PC-NIC35-NS6-B
Weight(g)	59
Material	AL6005-T5/SUS304
Finish	Silver / Black
Packing	400PCS
Carton size(mm)	540x212x378

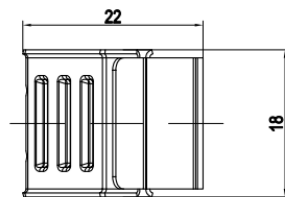
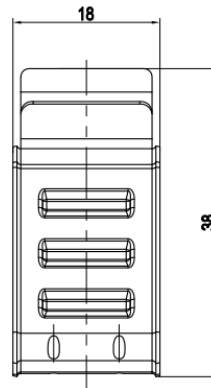
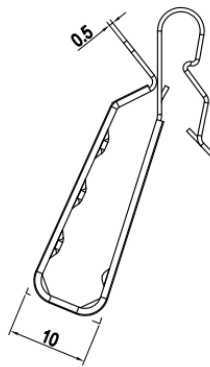
Product Specification

Article# NOVA-AC-AEC



Name	NOVA Rail End Cap(Pair)
Article#	NOVA-AC-AEC
Weight(g)	7
Material	PP
Finish	Black
Packing	800PCS
Carton size(mm)	540x212x340





Name	NOVA Rail Management Cable Clip
Article#	NOVA-AC-PCC08
Weight(g)	7
Material	SUS304
Finish	Silver
Packing	2,500PCS
Carton size(mm)	540x212x340