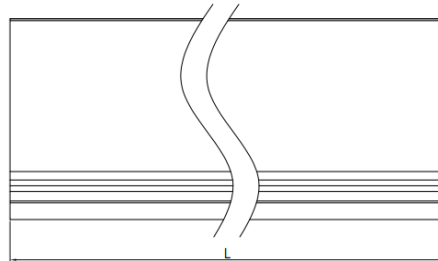
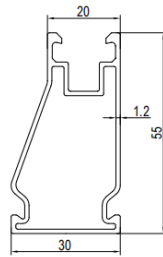
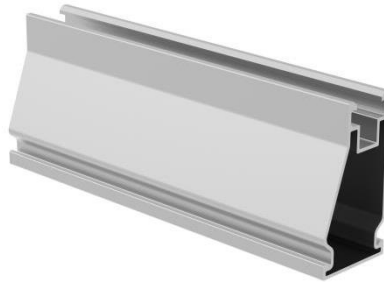
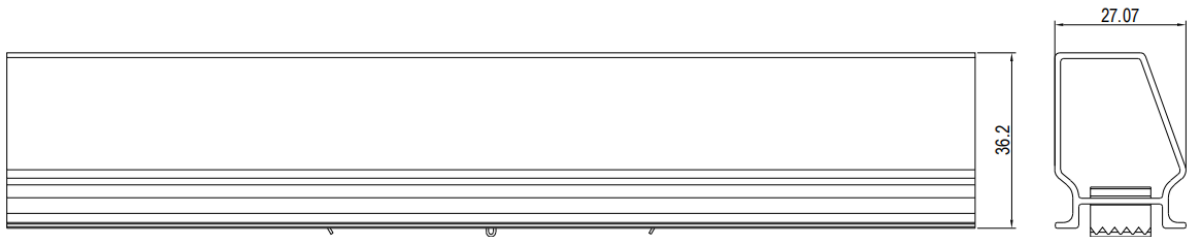
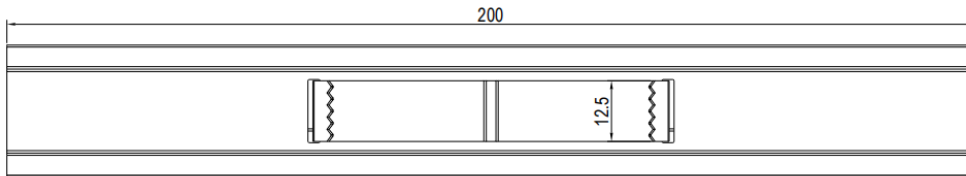


<b>Name</b>	NOVA L-Feet
<b>Article#</b>	NOVA-TRB-F16-RFN NOVA-TRB-F16-RFN-B
<b>Weight(g)</b>	166
<b>Material</b>	AL6005-T5
<b>Finish</b>	Silver/Black
<b>Packing</b>	44PCS
<b>Carton size(mm)</b>	260×205×180

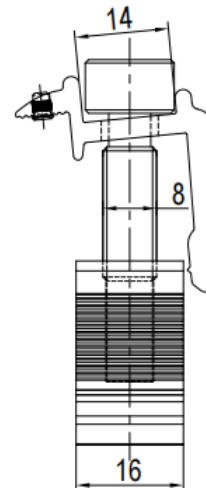
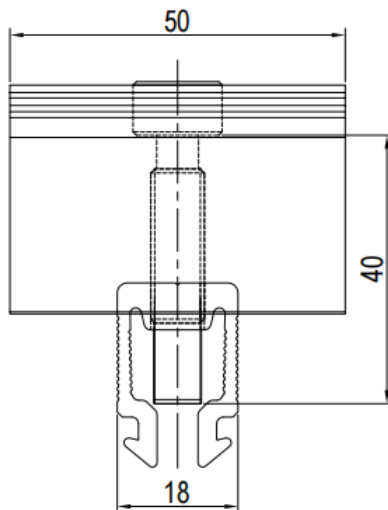
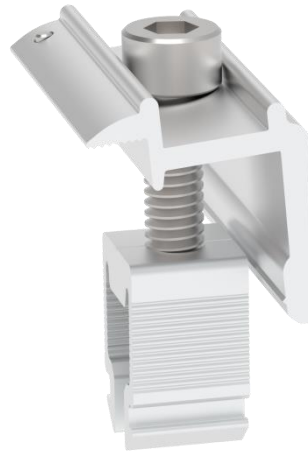


<b>Name</b>	NOVA Rail
<b>Article#</b>	NOVA-RA-NOV NOVA-RA-NOV-B
<b>Weight(kg/m)</b>	0.647
<b>Material</b>	AL6005-T5
<b>Finish</b>	Silver / Black
<b>Packing</b>	96PCS
<b>Pallet size(mm)</b>	TBA



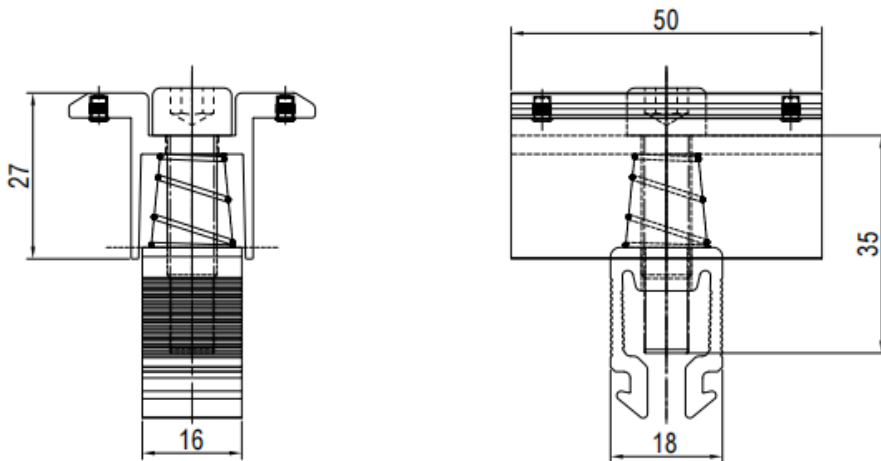
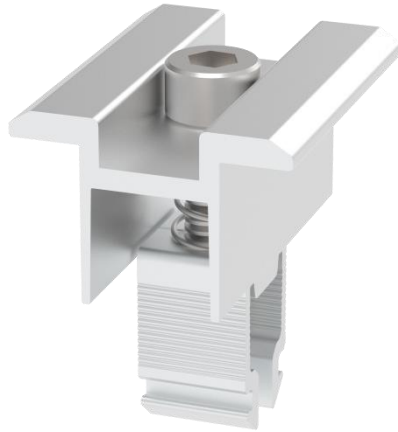
<b>Name</b>	NOVA Rail Joiner
<b>Article#</b>	NOVA-RA-NOV
<b>Weight(g)</b>	87
<b>Material</b>	AL6005-T5
<b>Finish</b>	Silver
<b>Packing</b>	220PCS
<b>Carton size(mm)</b>	540x212x378





<b>Name</b>	NOVA End Clamp 30-40mm
<b>Article#</b>	NOV-PC-NEC-40-NS6 NOV-PC-NEC-40-NS6-B
<b>Weight(g)</b>	57
<b>Material</b>	AL6005-T5/SUS304
<b>Finish</b>	Silver / Black
<b>Packing</b>	480PCS
<b>Carton size(mm)</b>	540x212x378

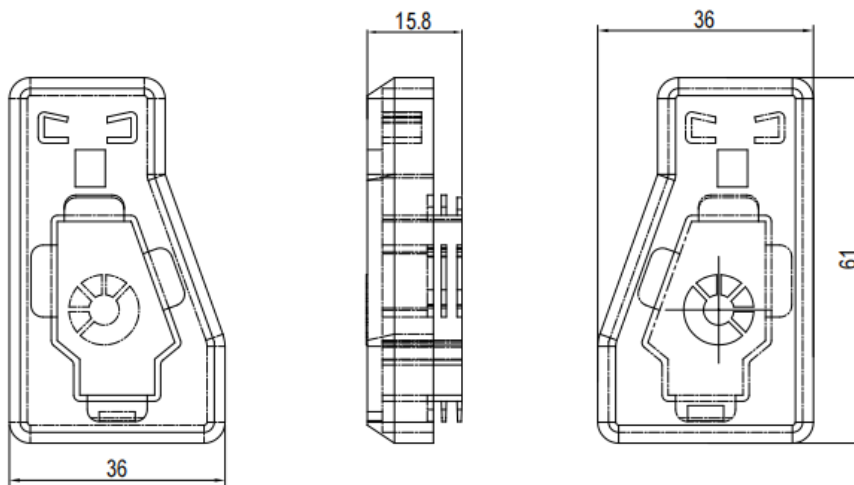




<b>Name</b>	NOVA Inner Clamp 30-35mm with Spring
<b>Article#</b>	NOV-PC-NIC35-NS6 NOV-PC-NIC35-NS6-B
<b>Weight(g)</b>	59
<b>Material</b>	AL6005-T5/SUS304
<b>Finish</b>	Silver / Black
<b>Packing</b>	400PCS
<b>Carton size(mm)</b>	540x212x378

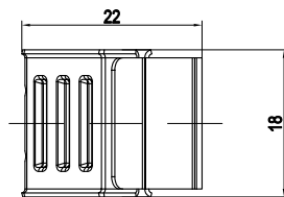
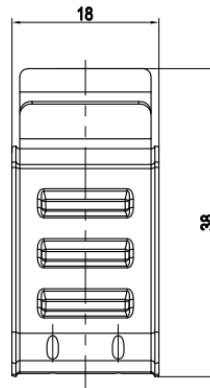
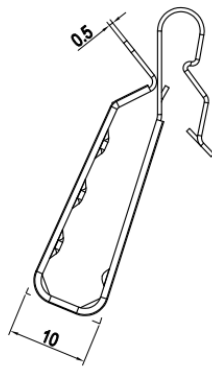
**Product Specification**

**Article# NOVA-AC-AEC**



<b>Name</b>	NOVA Rail End Cap(Pair)
<b>Article#</b>	NOVA-AC-AEC
<b>Weight(g)</b>	7
<b>Material</b>	PP
<b>Finish</b>	Black
<b>Packing</b>	800PCS
<b>Carton size(mm)</b>	540x212x340





<b>Name</b>	NOVA Rail Management Cable Clip
<b>Article#</b>	NOVA-AC-PCC08
<b>Weight(g)</b>	7
<b>Material</b>	SUS304
<b>Finish</b>	Silver
<b>Packing</b>	2,500PCS
<b>Carton size(mm)</b>	540x212x340

